

Silicon PNP Power Transistors

2SA1280

DESCRIPTION

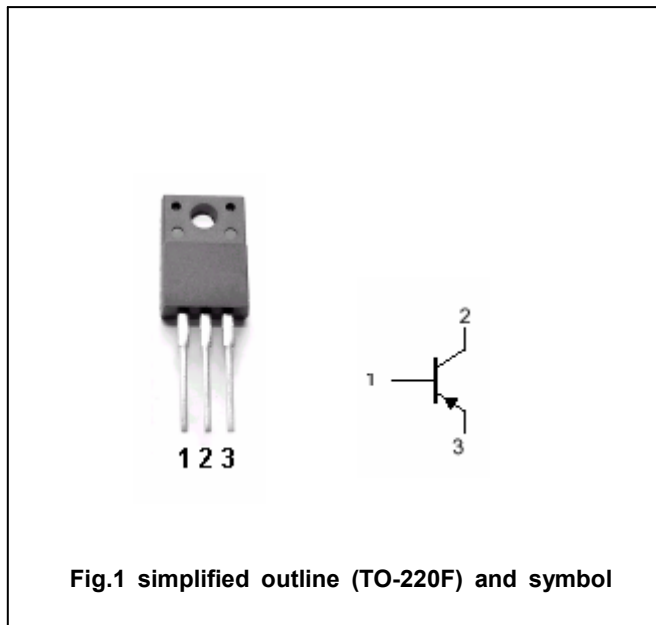
- With TO-220F package
- High breakdown voltage
- High power dissipation

APPLICATIONS

- For use in low frequency power amplifier  
Color TV vertical deflection output

PINNING

PIN	DESCRIPTION
1	Base
2	Collector
3	Emitter



Absolute maximum ratings (Ta=25°C)

SYMBOL	PARAMETER	CONDITIONS	VALUE	UNIT
V <sub>CBO</sub>	Collector-base voltage	Open emitter	-150	V
V <sub>CEO</sub>	Collector-emitter voltage	Open base	-150	V
V <sub>EBO</sub>	Emitter-base voltage	Open collector	-6	V
I <sub>C</sub>	Collector current		-1.5	A
P <sub>C</sub>	Collector dissipation	T <sub>C</sub> =25°C	25	W
T <sub>j</sub>	Junction temperature		150	°C
T <sub>stg</sub>	Storage temperature		-55~150	°C

## Silicon PNP Power Transistors

## 2SA1280

## CHARACTERISTICS

T<sub>j</sub>=25 °C unless otherwise specified

SYMBOL	PARAMETER	CONDITIONS	MIN	TYP.	MAX	UNIT
V <sub>(BR)CEO</sub>	Collector-emitter breakdown voltage	I <sub>C</sub> =-10mA ; I <sub>B</sub> =0	-150			V
V <sub>CEsat</sub>	Collector-emitter saturation voltage	I <sub>C</sub> =-500mA; I <sub>B</sub> =-50mA			-3.0	V
V <sub>BE</sub>	Base-emitter on voltage	I <sub>C</sub> =-50mA ; V <sub>CE</sub> =-4V			-1.0	V
I <sub>CBO</sub>	Collector cut-off current	V <sub>CB</sub> =-120V; I <sub>E</sub> =0			-1	μA
I <sub>EBO</sub>	Emitter cut-off current	V <sub>EB</sub> =-6V; I <sub>C</sub> =0			-1	μA
h <sub>FE-1</sub>	DC current gain	I <sub>C</sub> =-50mA ; V <sub>CE</sub> =-4V	60		200	
h <sub>FE-2</sub>	DC current gain	I <sub>C</sub> =-500mA ; V <sub>CE</sub> =-10V	60			
f <sub>T</sub>	Transition frequency	I <sub>C</sub> =-500mA ; V <sub>CE</sub> =-10V	4			MHz
C <sub>OB</sub>	Output capacitance	I <sub>E</sub> =0 ; V <sub>CB</sub> =-100V; f=1MHz		30		pF

Silicon PNP Power Transistors

2SA1280

PACKAGE OUTLINE

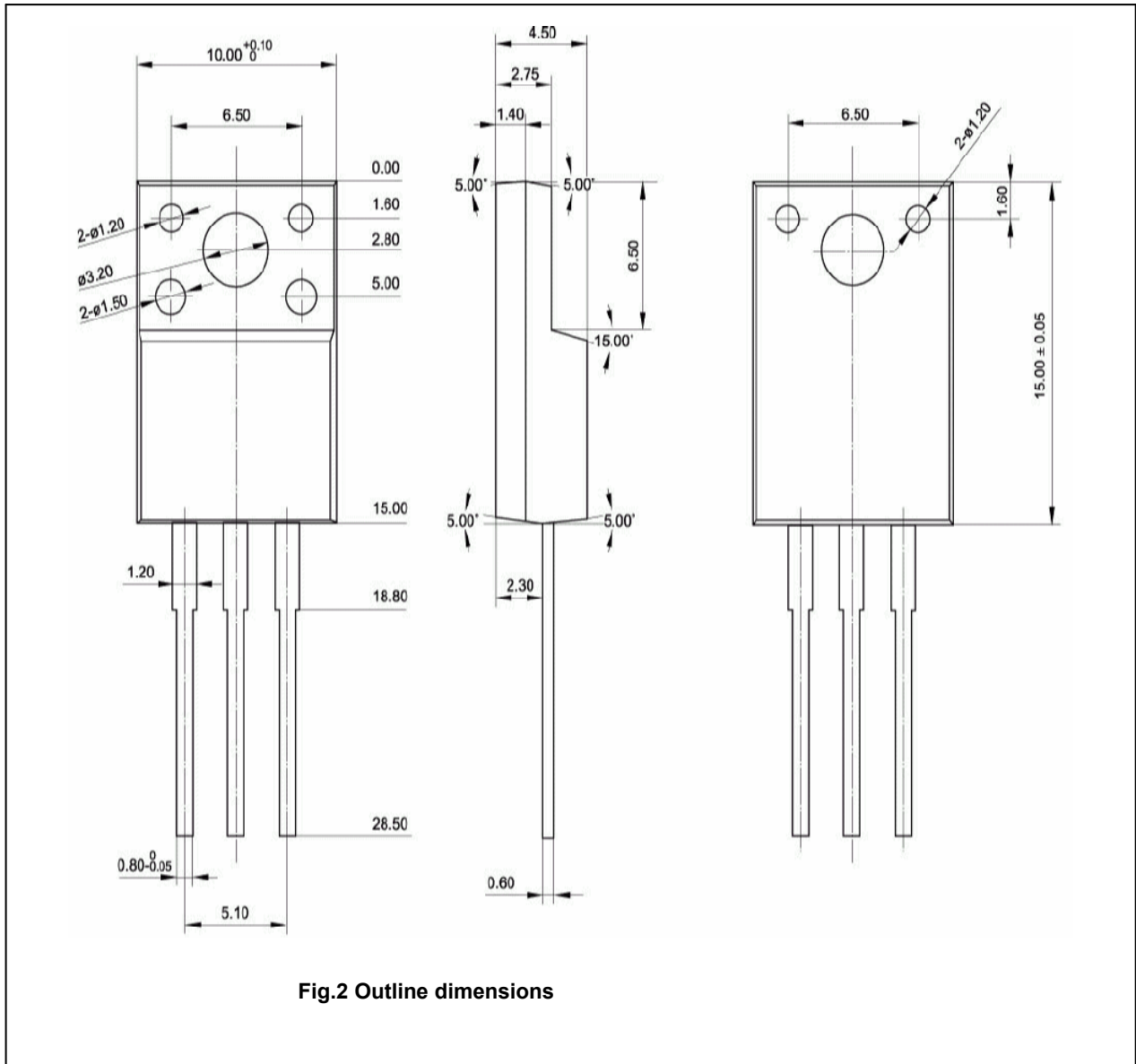


Fig.2 Outline dimensions